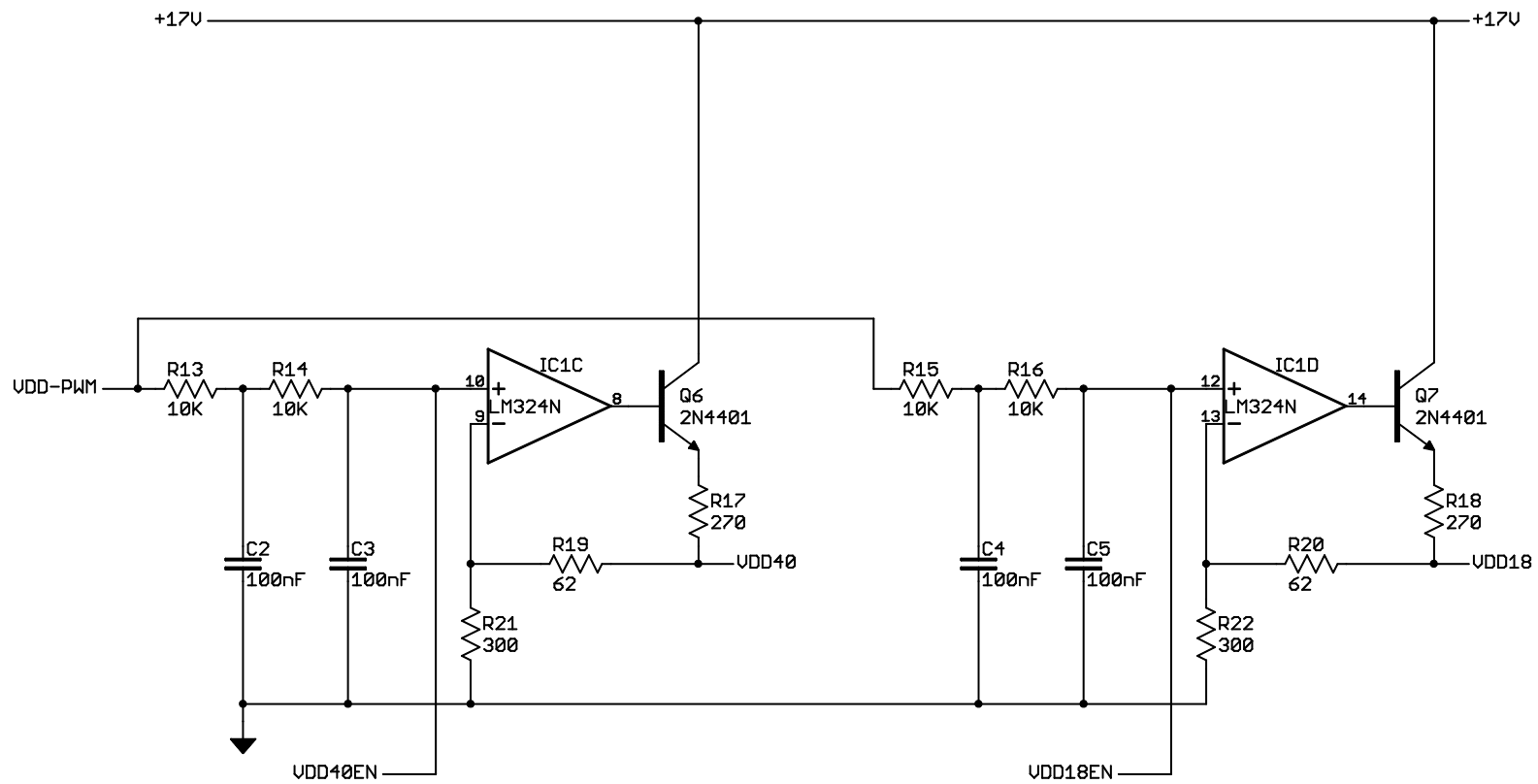
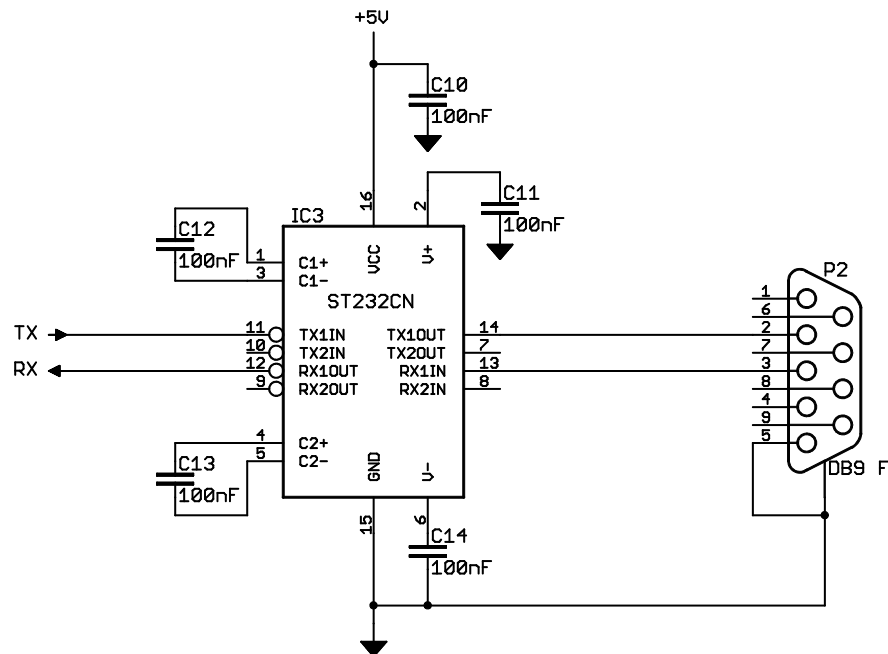


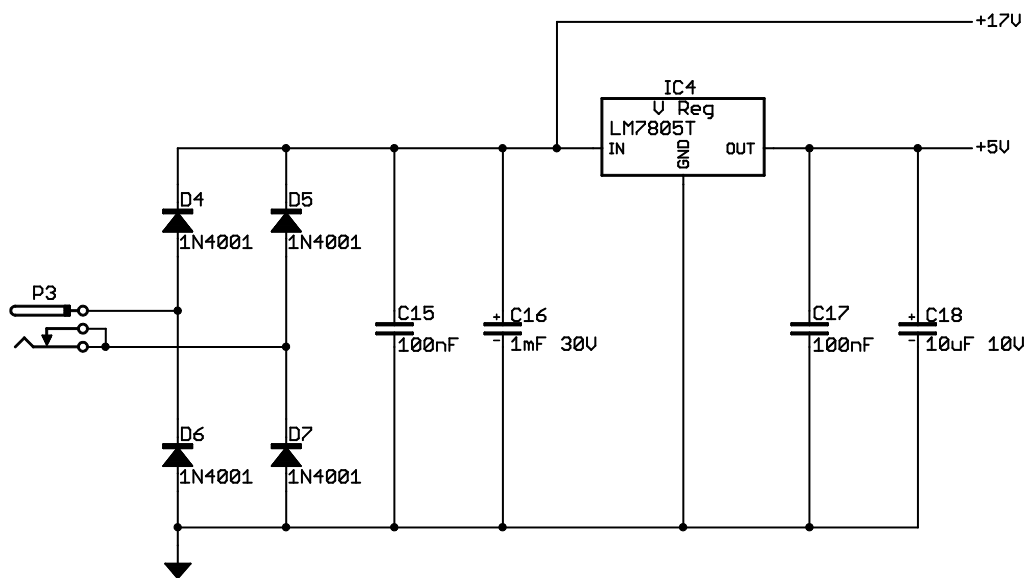
Project: prog7 Sheet 1/5  
 Last Changed: 2005-11-20 09:53:16a  
 Target chip interface



Project: prog7  
 Sheet 2/5  
 Last Changed: 2005-11-20 09:53:16a  
 Target Udd drivers







Project: prog7  
 Sheet 5/5  
 Last Changed: 2005-11-20 09:53:16a  
 Power supplies