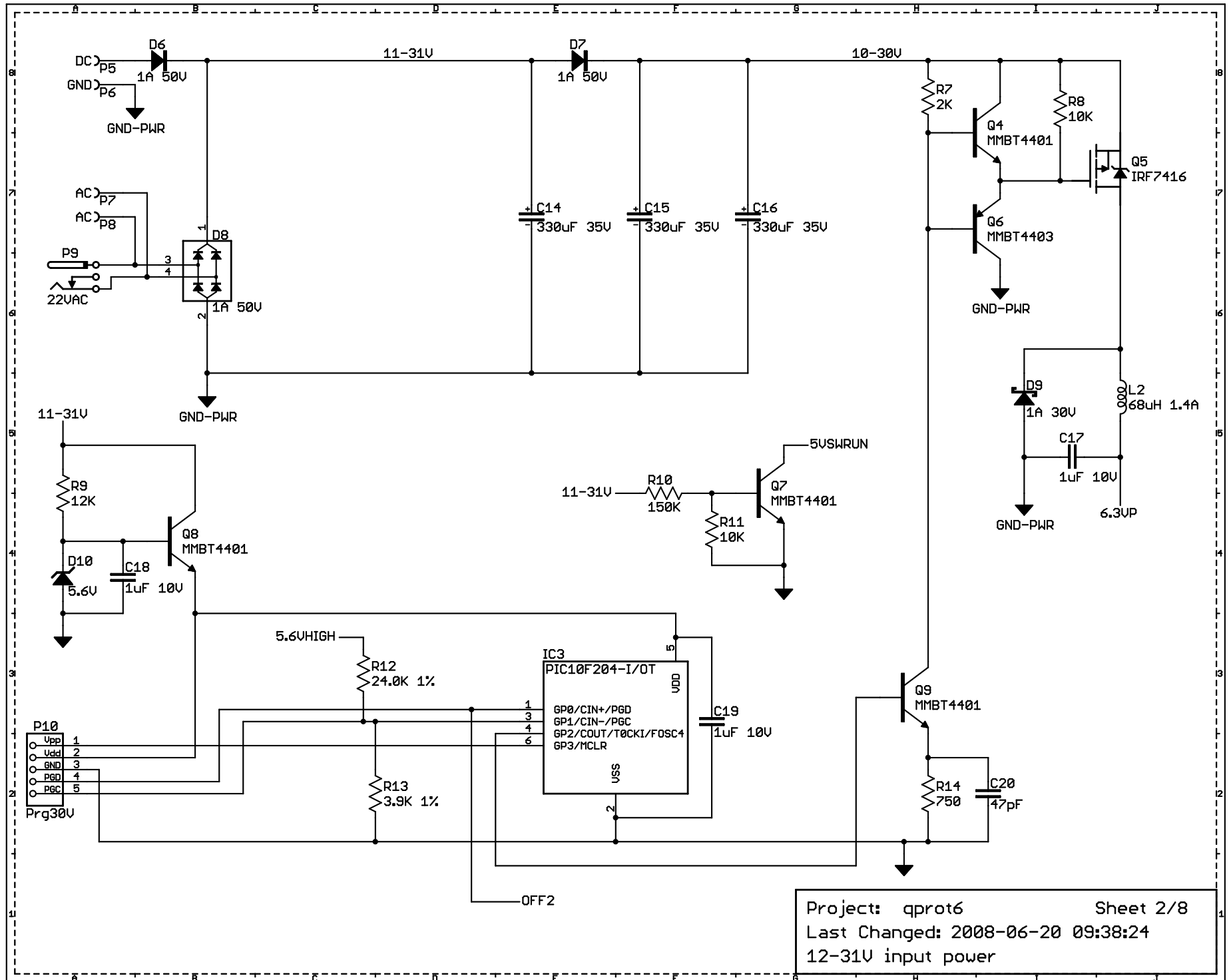
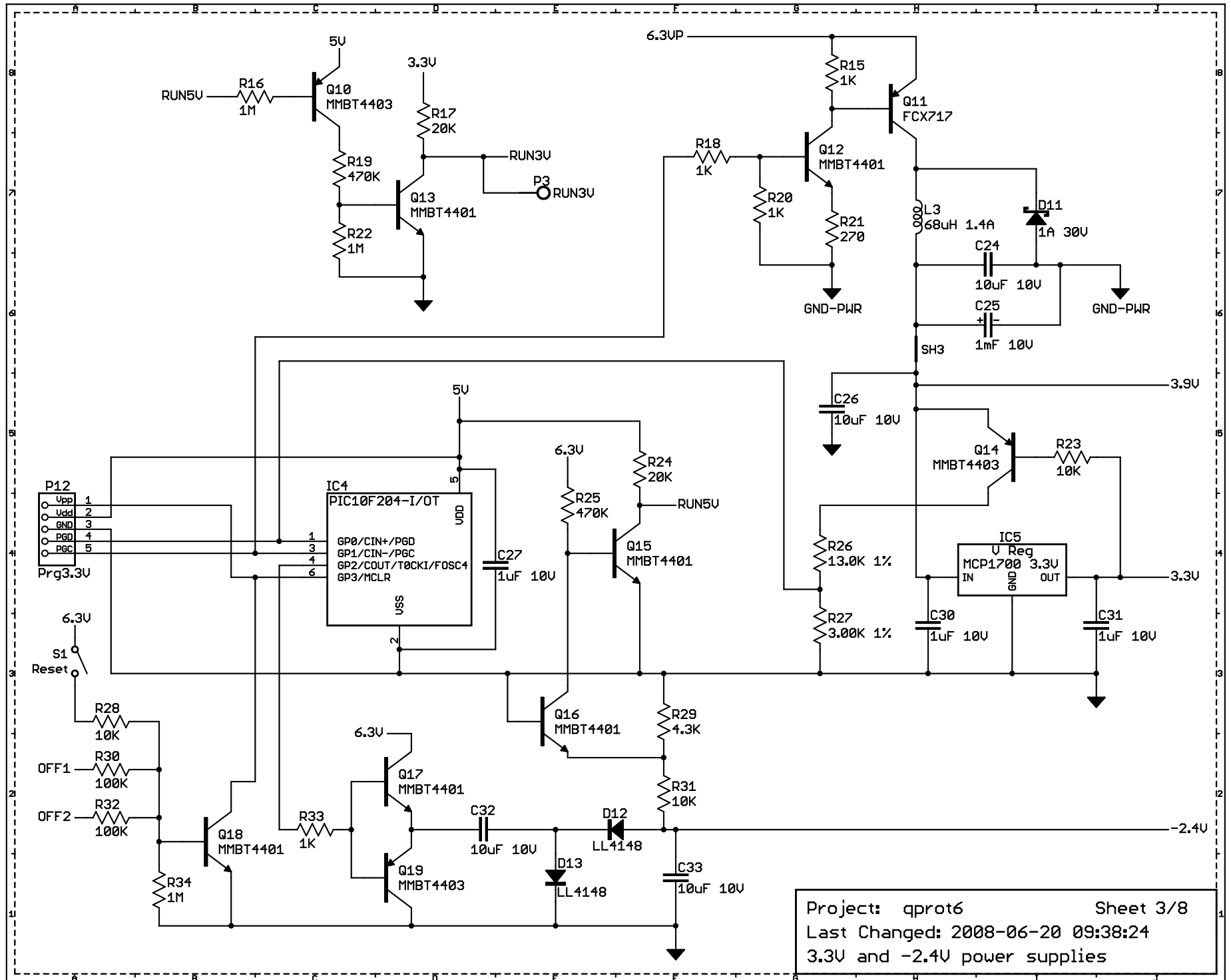


Project: qprot6 Sheet 1/8  
 Last Changed: 2008-06-20 09:38:24  
 5V input power

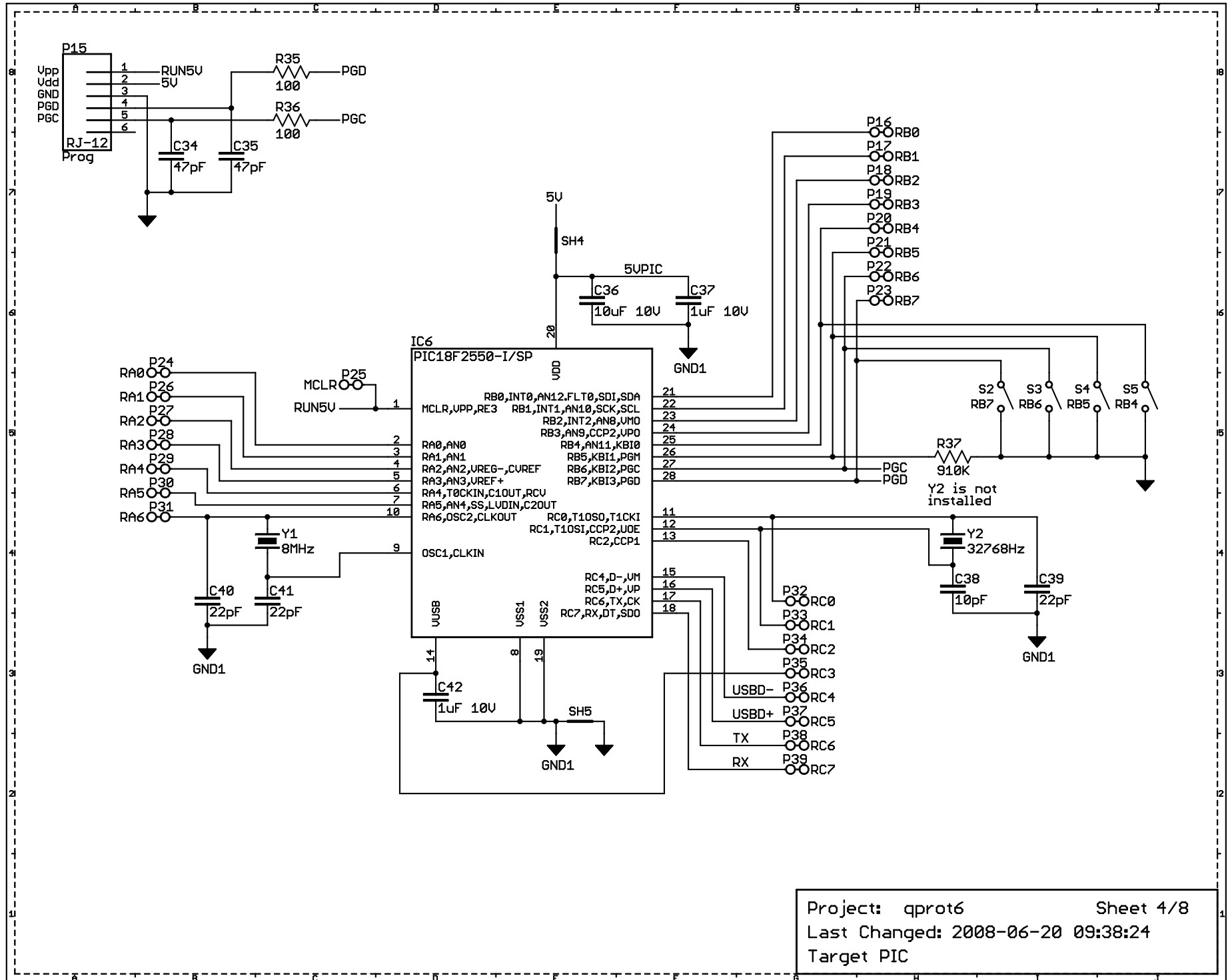


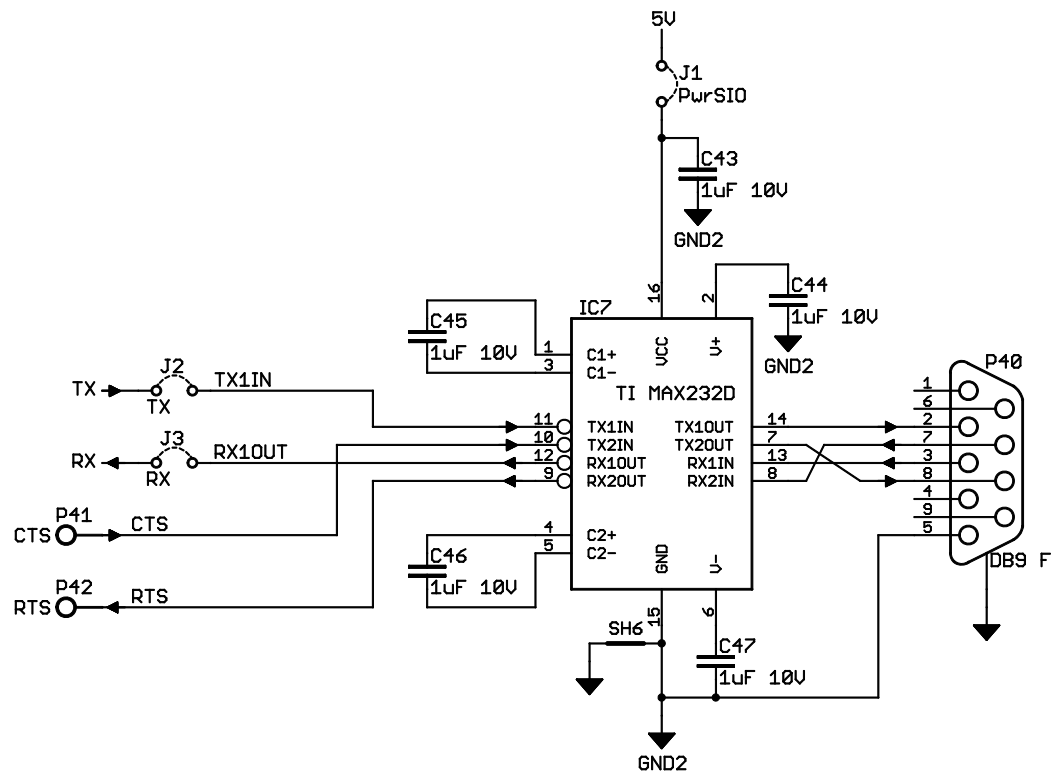


P12	
Upp	1
Vdd	2
GND	3
PGD	4
PGC	5

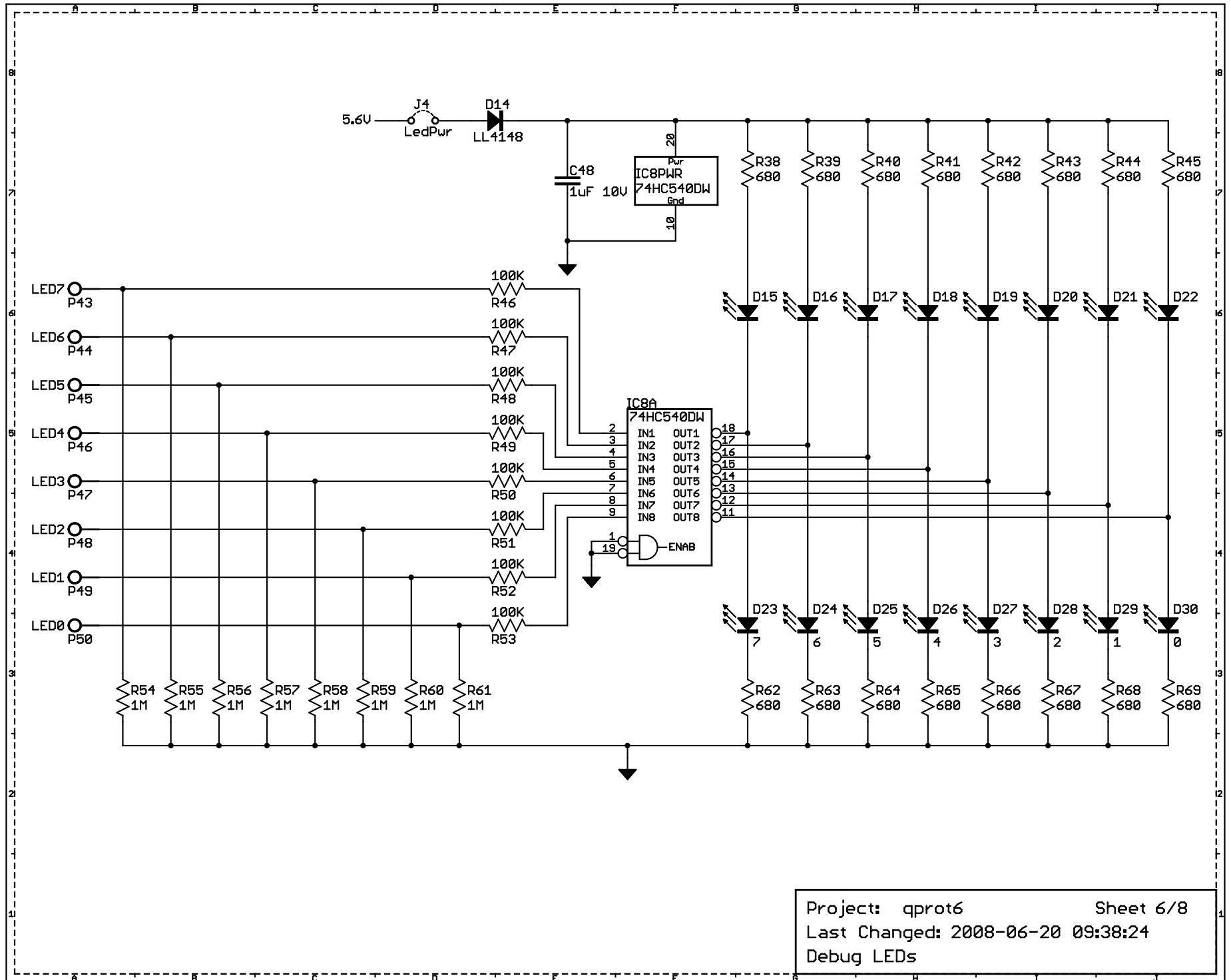
IC4	
PIC10F204-I/O4	
GP0/CIN+/PGD	1
GP1/CIN-/PGC	3
GP2/CDUT/T0CK1/FOSC4	4
GP3/MCLR	6
VDD	5
VSS	2

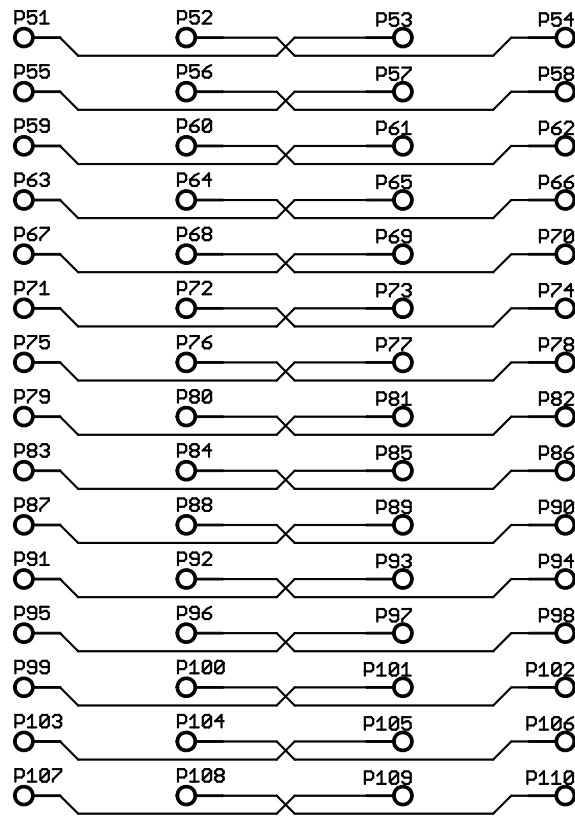
IC5	
U Reg	
MCP1700	3.3V
IN	GND
OUT	3.3V



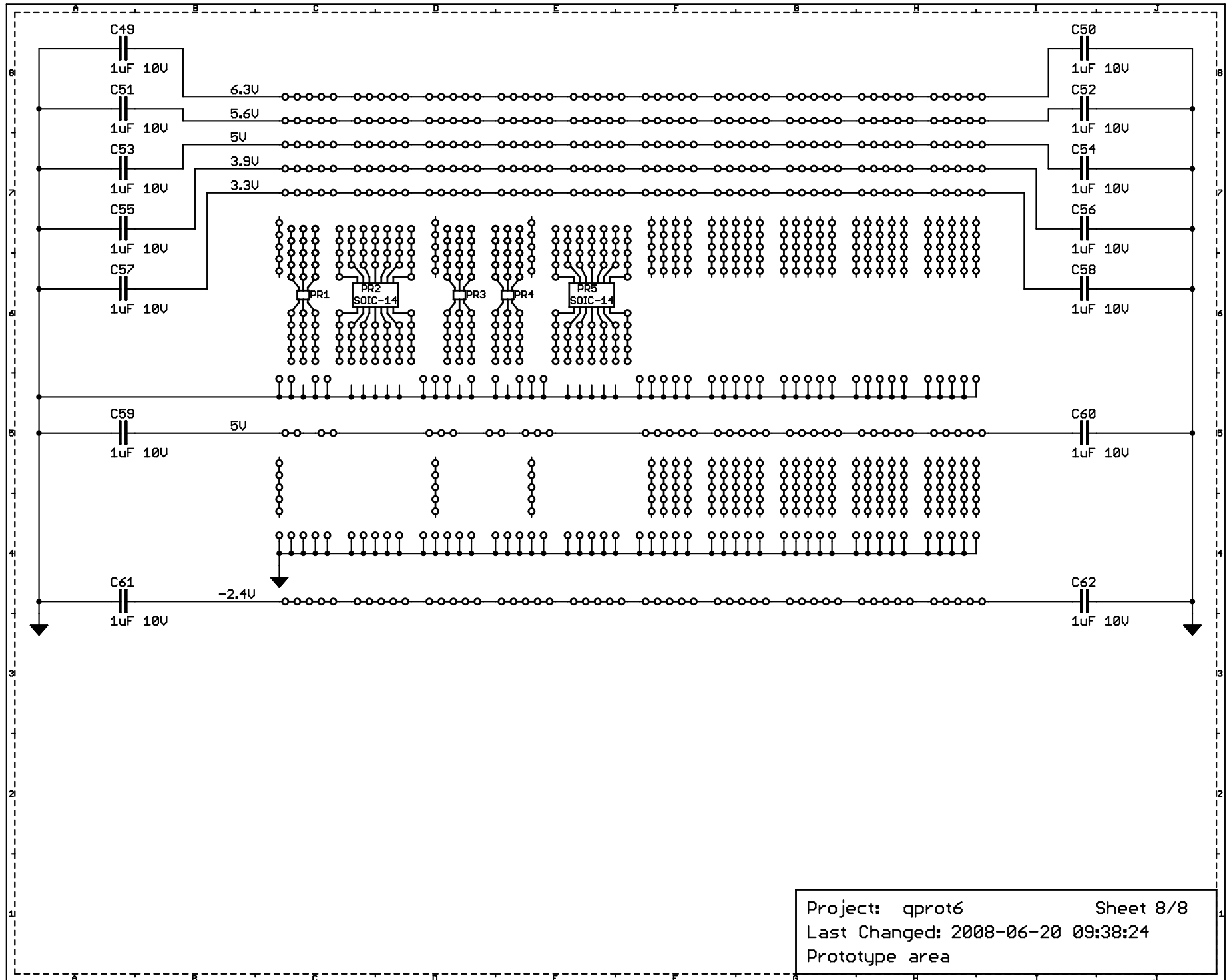


Project: qprot6 Sheet 5/8  
 Last Changed: 2008-06-20 09:38:24  
 RS-232 interfafce





Project: qprot6 Sheet 7/8  
Last Changed: 2008-06-20 09:38:24  
External connector pads



Project: qprot6 Sheet 8/8  
 Last Changed: 2008-06-20 09:38:24  
 Prototype area