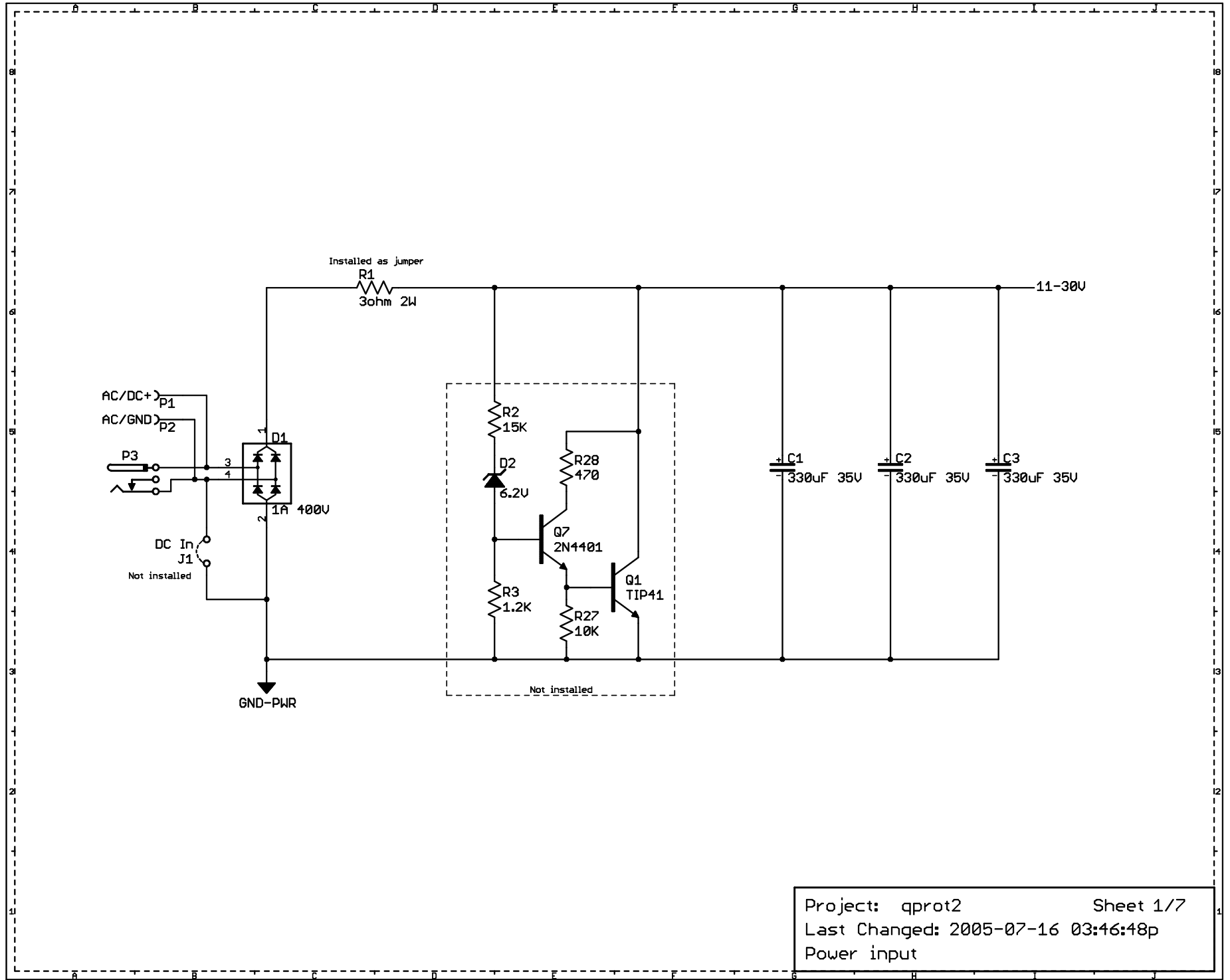
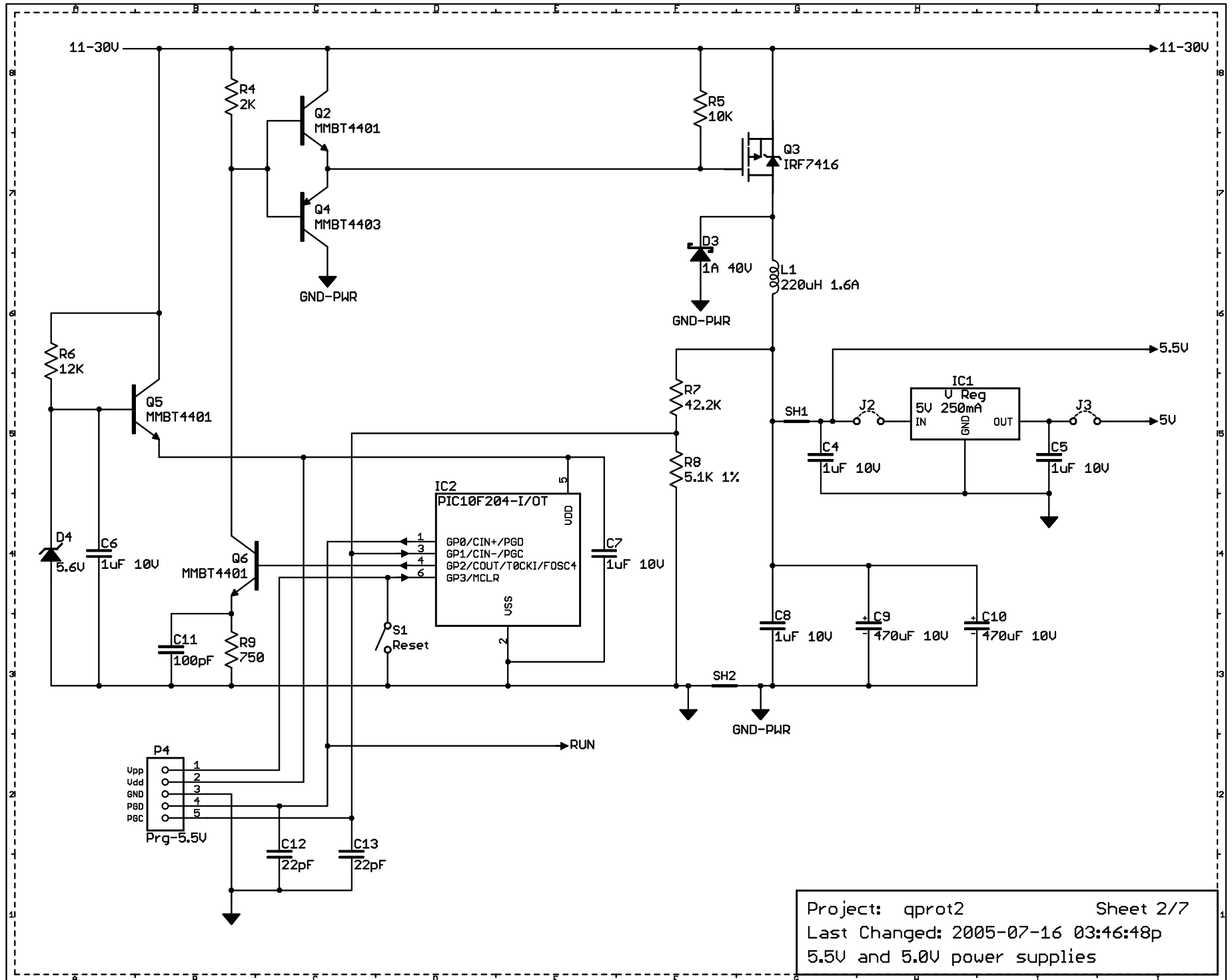
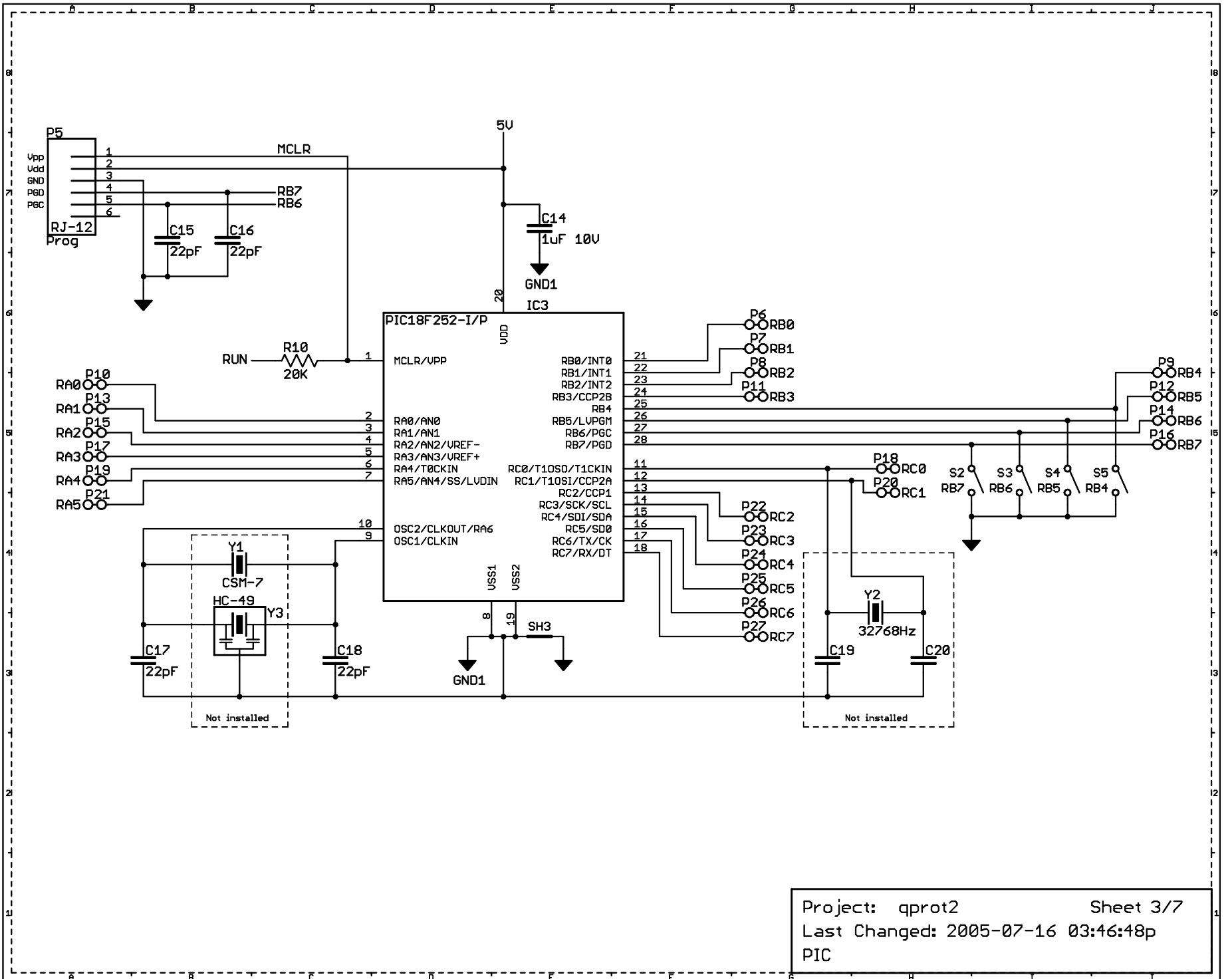


Project: qprot2
 Last Changed: 2005-07-16 03:46:48p
 Power input

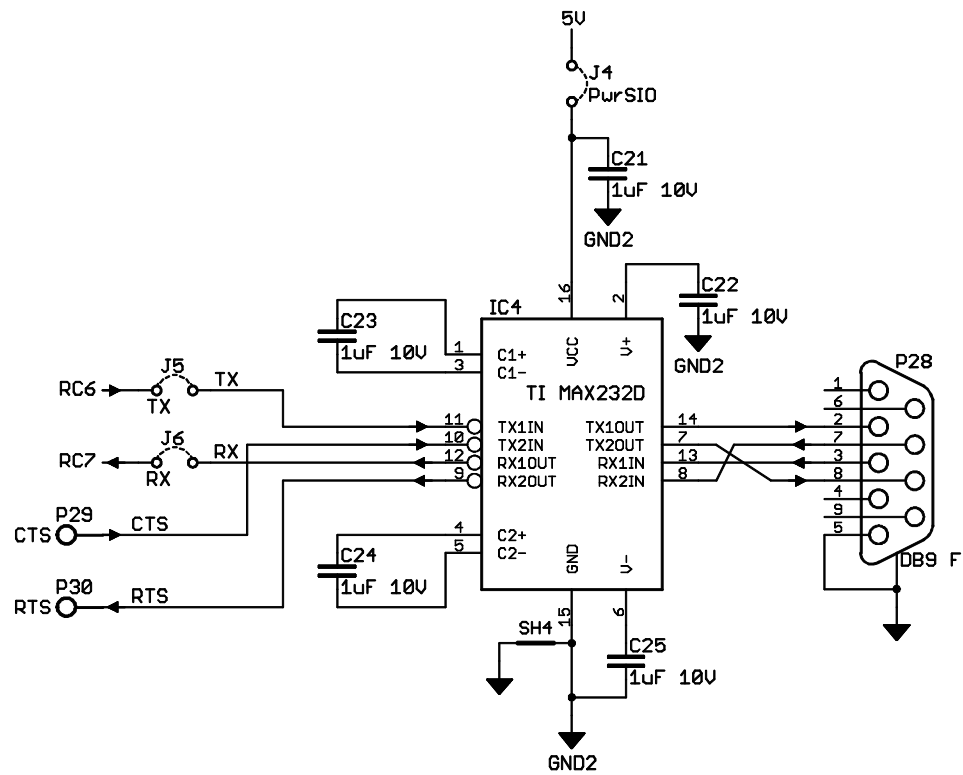




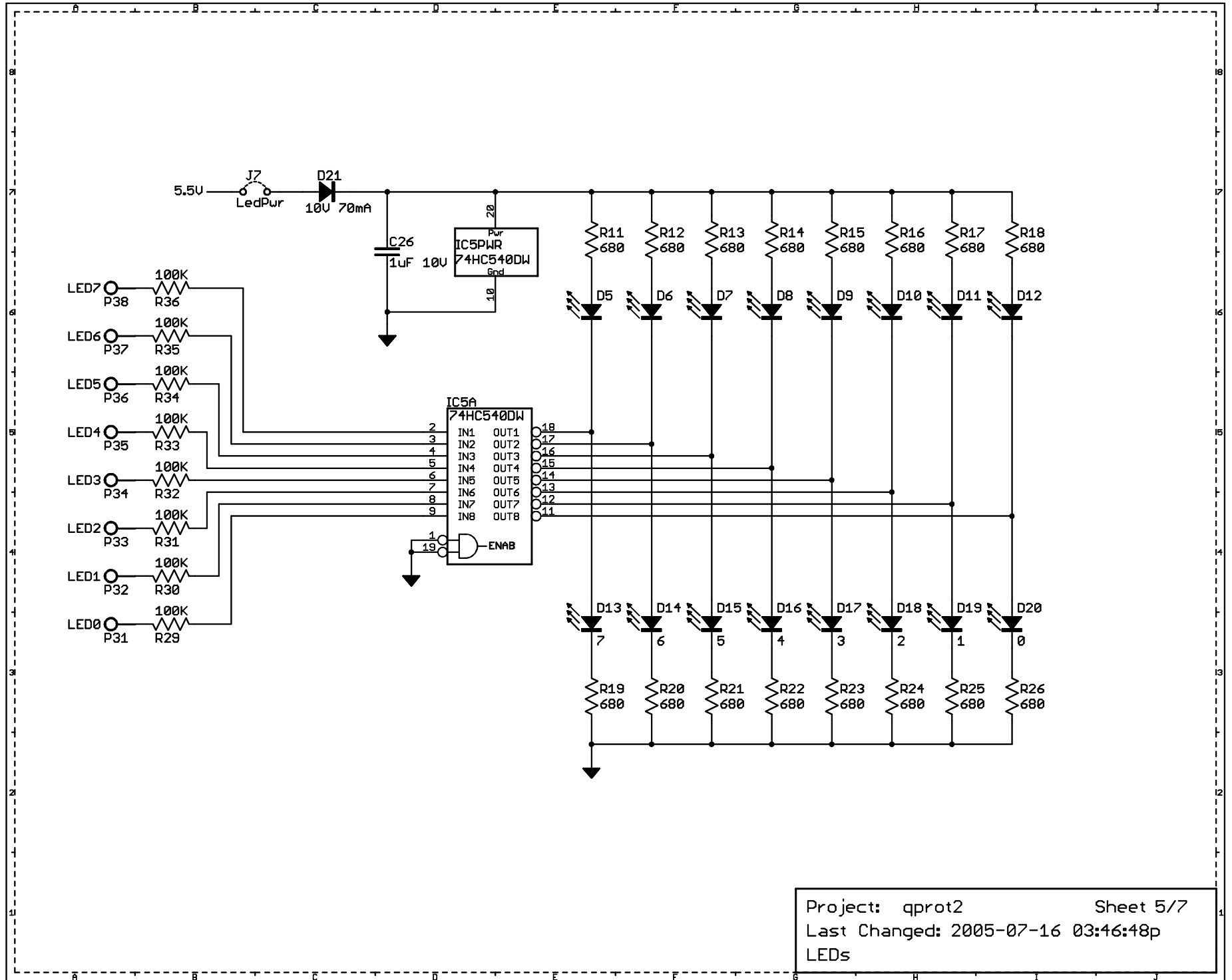
Project: qprot2 Sheet 2/7
 Last Changed: 2005-07-16 03:46:48p
 5.5V and 5.0V power supplies

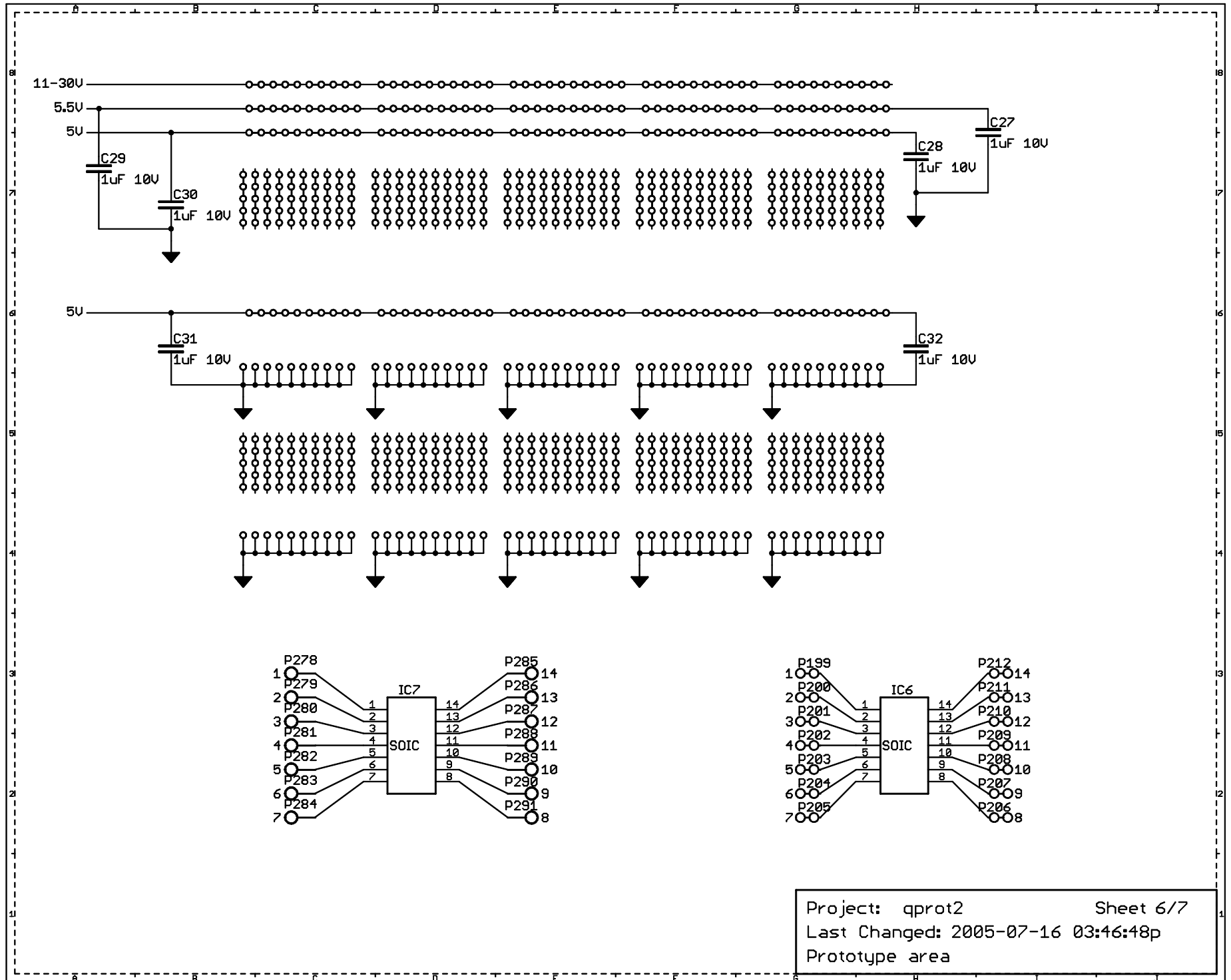


Project: qprot2 Sheet 3/7
 Last Changed: 2005-07-16 03:46:48p
 PIC

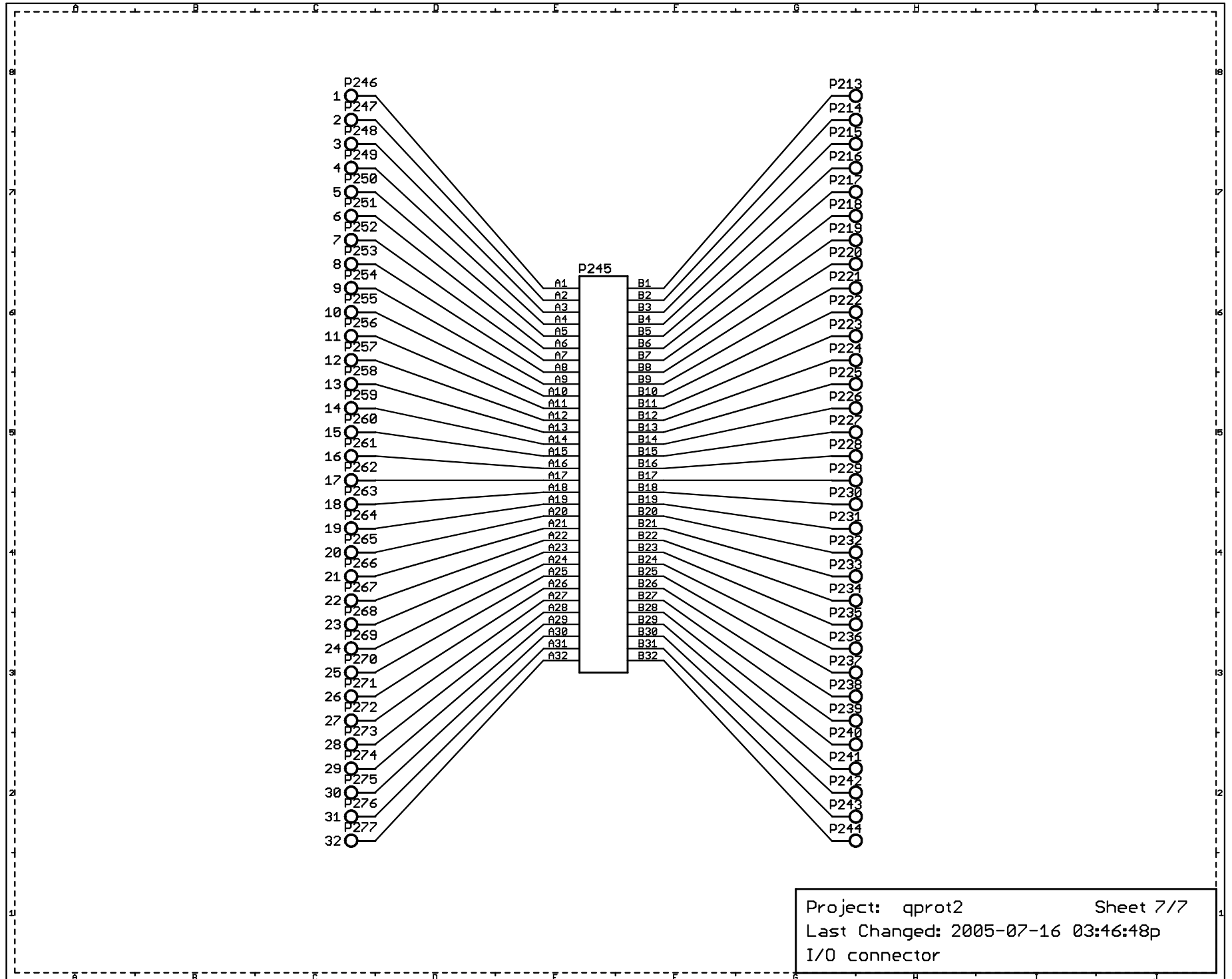


Project: qprot2 Sheet 4/7
 Last Changed: 2005-07-16 03:46:48p
 RS-232 interface





Project: qprot2 Sheet 6/7
 Last Changed: 2005-07-16 03:46:48p
 Prototype area



Project: qprot2 Sheet 7/7
 Last Changed: 2005-07-16 03:46:48p
 I/O connector