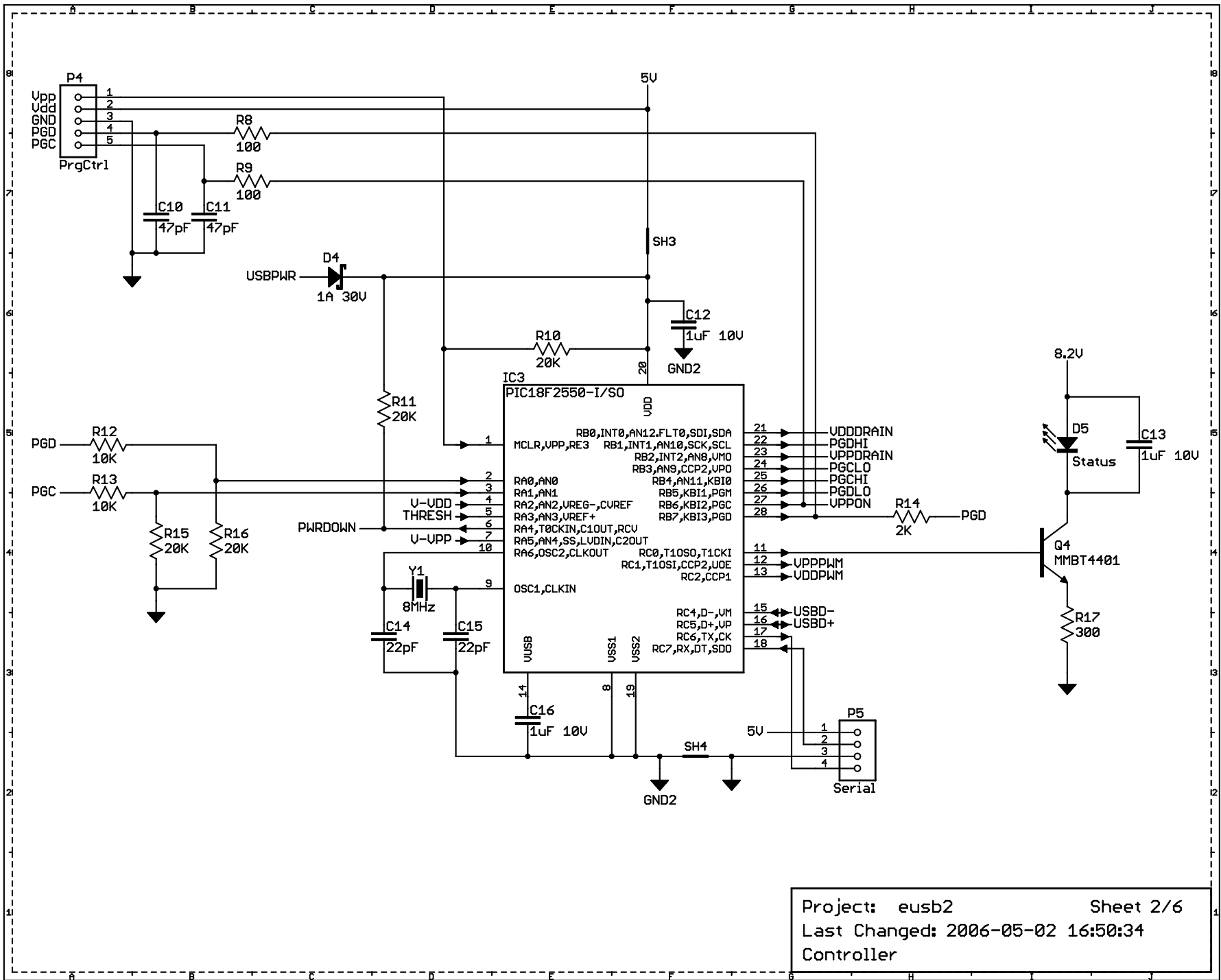
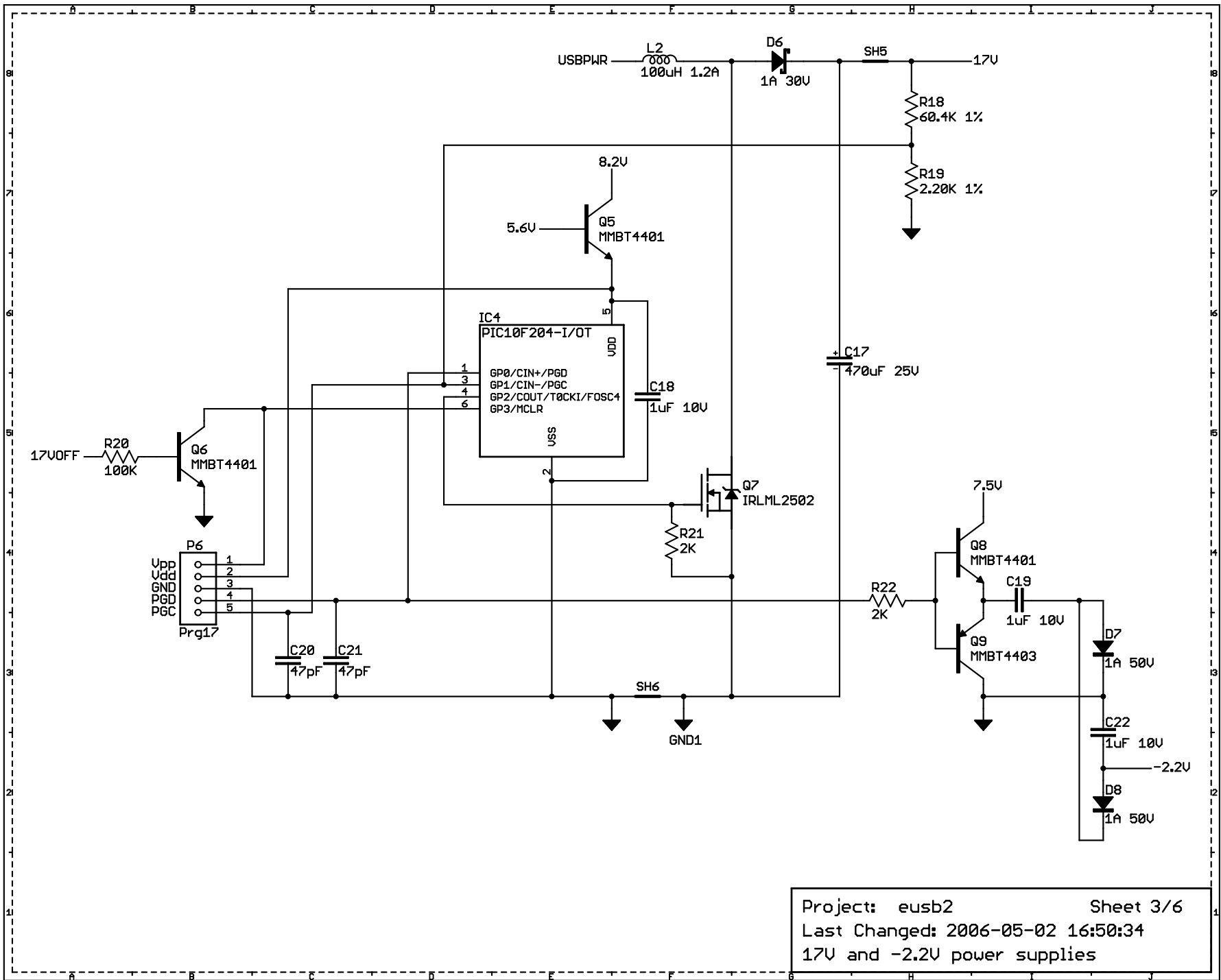


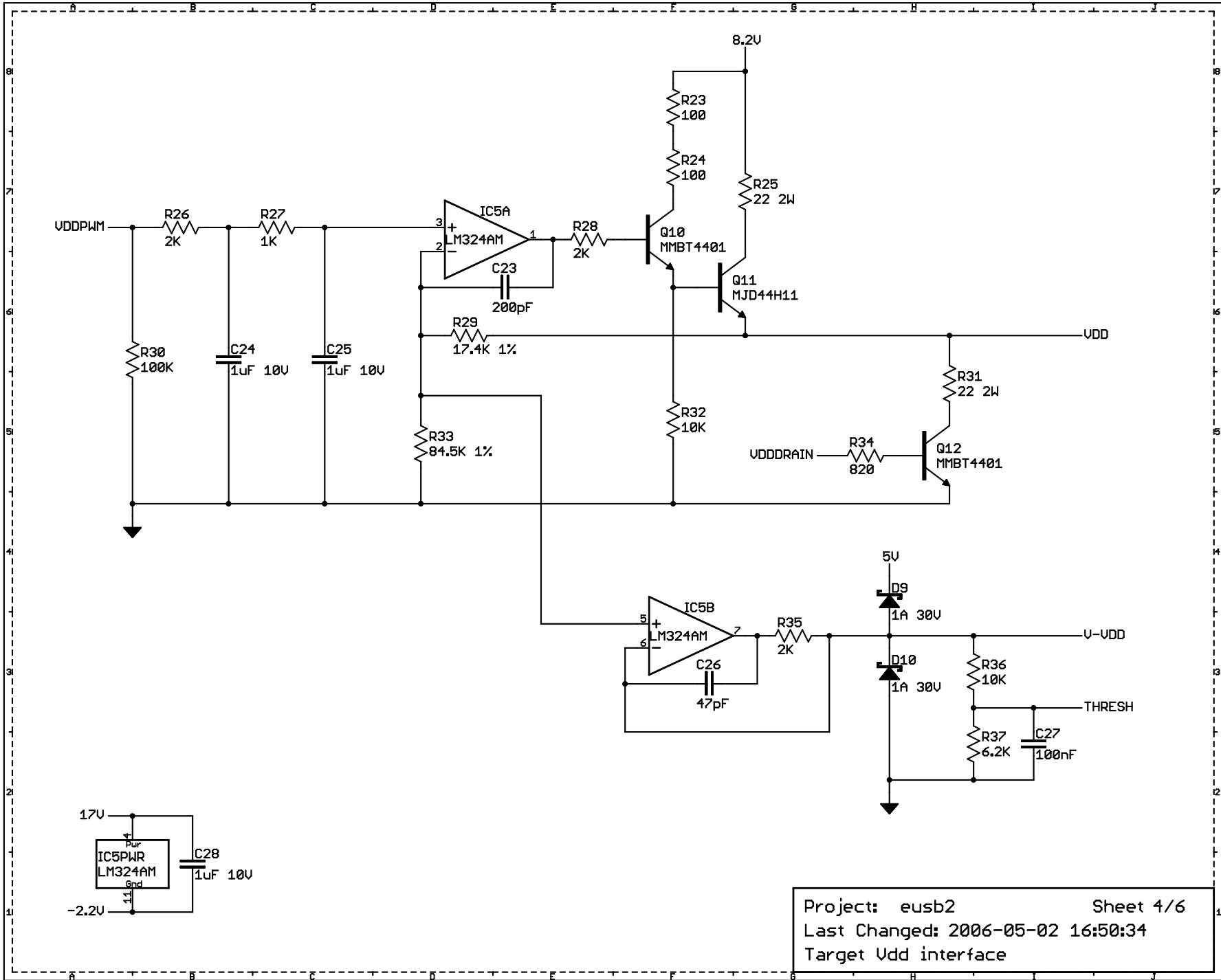
Project: eusb2 Sheet 1/6  
 Last Changed: 2006-05-02 16:50:34  
 7.5V and 5.0V power supplies



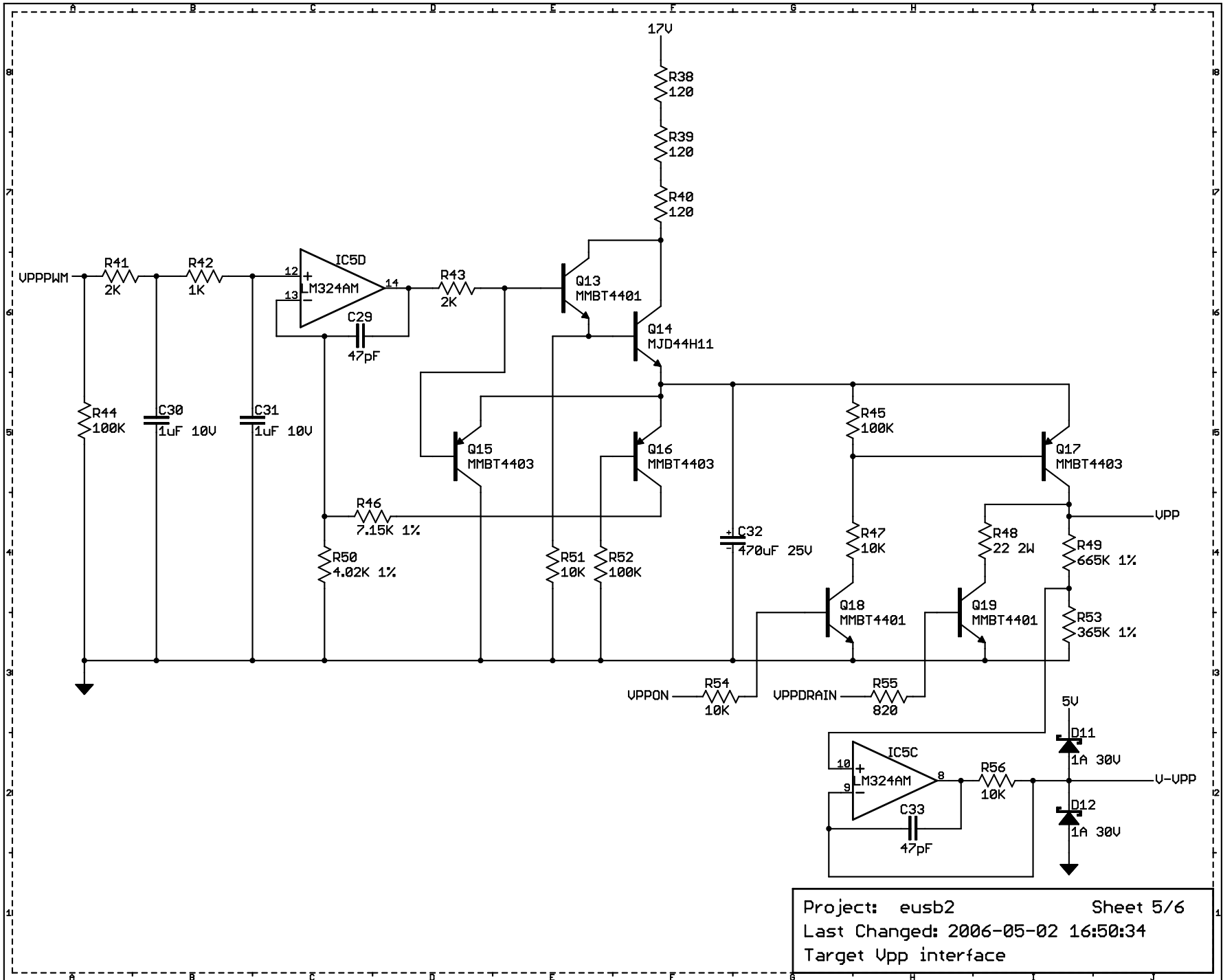
Project: eusb2                      Sheet 2/6  
 Last Changed: 2006-05-02 16:50:34  
 Controller



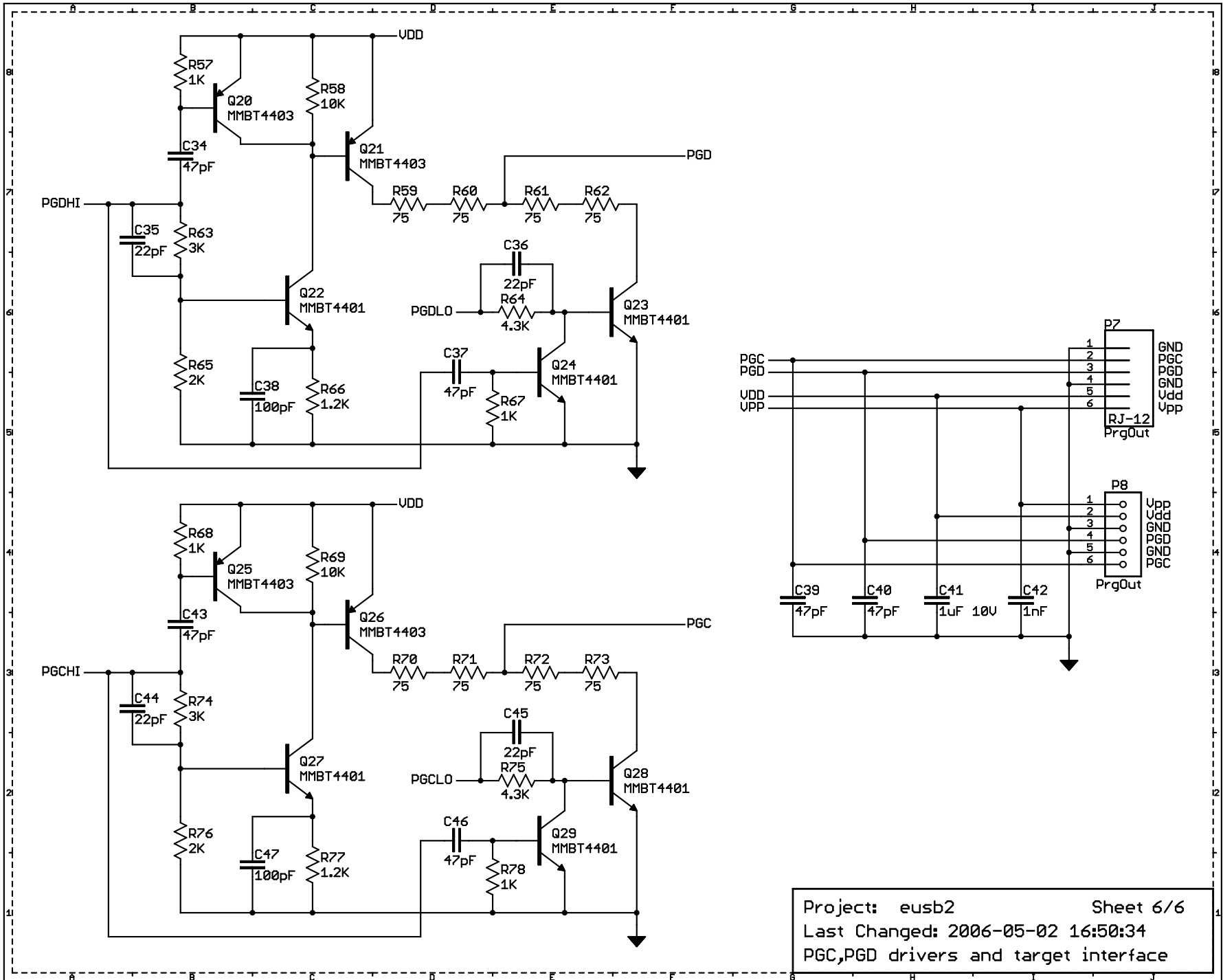
Project: eusb2                      Sheet 3/6  
 Last Changed: 2006-05-02 16:50:34  
 17V and -2.2V power supplies



Project: eusb2      Sheet 4/6  
 Last Changed: 2006-05-02 16:50:34  
 Target Udd interface



Project: eusb2                      Sheet 5/6  
 Last Changed: 2006-05-02 16:50:34  
 Target Upp interface



Project: eusb2                      Sheet 6/6  
 Last Changed: 2006-05-02 16:50:34  
 PGC,PGD drivers and target interface