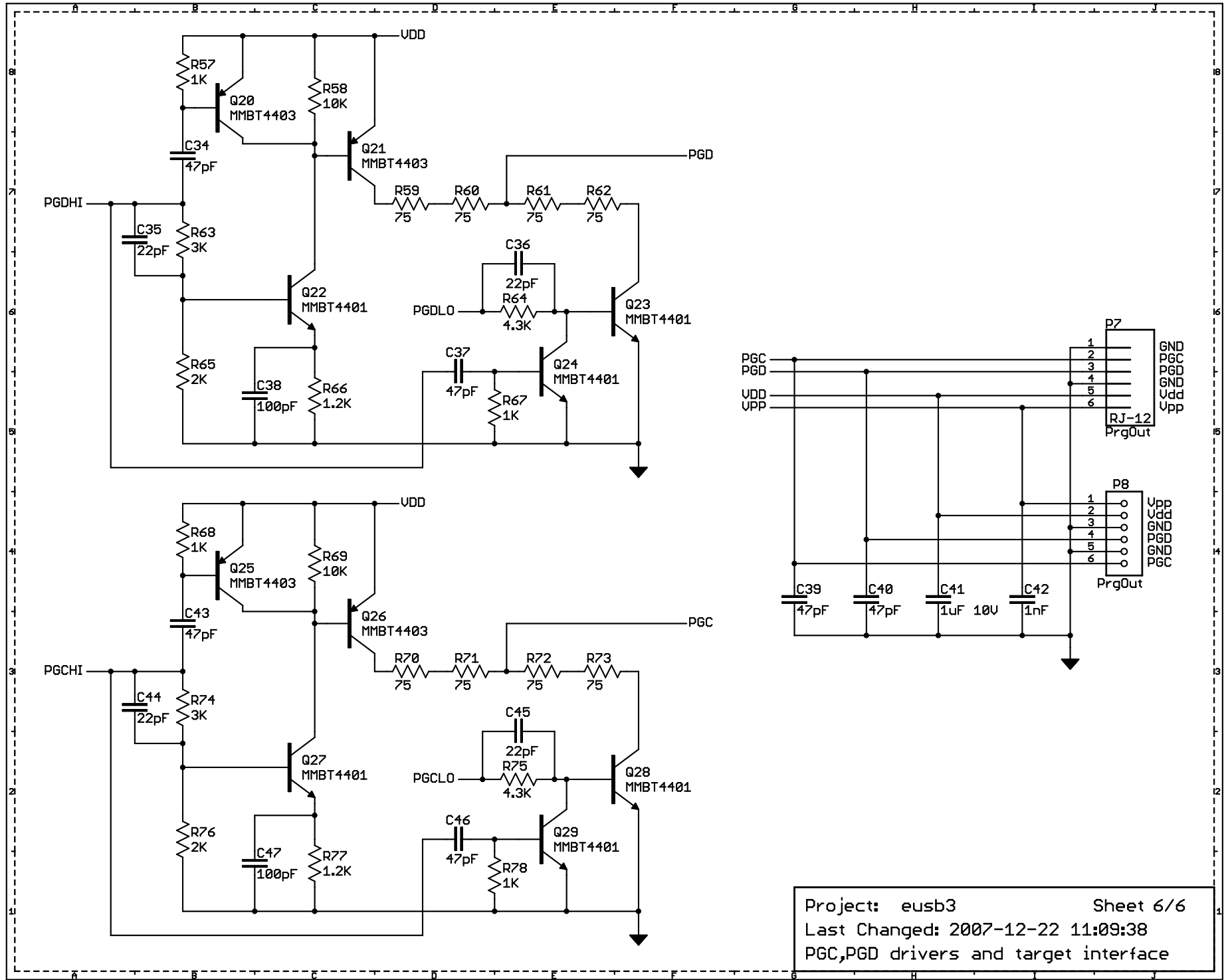


Project: eusb3 Sheet 5/6
 Last Changed: 2007-12-22 11:09:38
 Target Upp interface



Project: eusb3 Sheet 6/6
 Last Changed: 2007-12-22 11:09:38
 PGC,PGD drivers and target interface